

## Franke Triflow Equivalent Cartridge Replacement - Plastic Housing SXPB-25-FR; SC-25-FR; CD-25-FR

The following process is the same for every generation of Franke white plastic filter housing.

### Cartridge Replacement Cycle

The SC-25-FR & SXPB-25-FR cartridges should be changed every 6 months. Other specialist filters may vary.

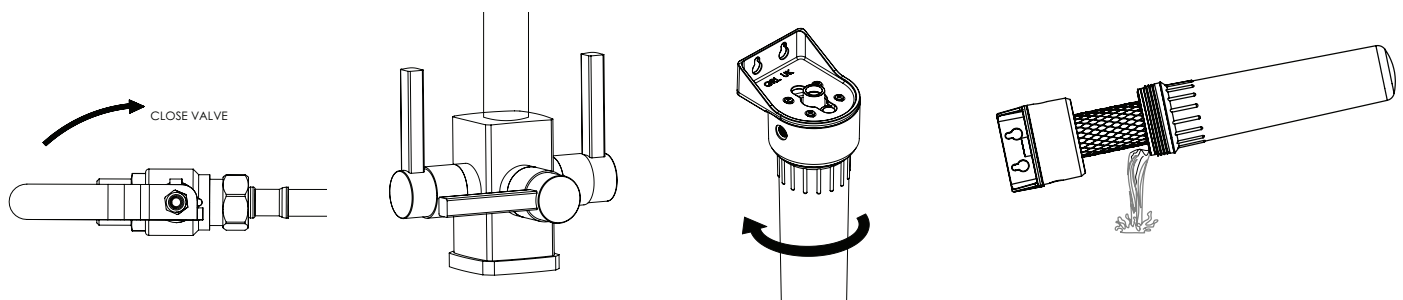
**Important** - the interval between cartridge replacements is an estimate only and is not a guarantee. Water quality varies from locality to locality and situation to situation. Higher than average turbidity (particle contamination) thereby necessitating more frequent cartridge changes.

### Before you begin

No special tools are required for this operation. All you will need is a bowl or a suitable receptacle to catch the residual water and a cloth or a sponge.

### Important note

Lubricating threads and seals. Only a WRAS approved silicon lubricant should be used for this purpose. Plastic will degrade and eventually fracture if it comes into contact with most greases and oils. Small tubes of approved silicon grease can be purchased online at [www.freshwaterfilter.com](http://www.freshwaterfilter.com)

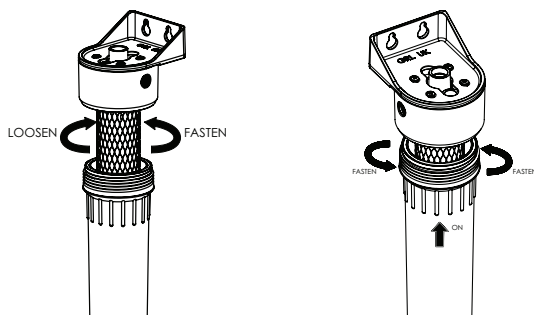


1. Locate the shut-off valve and turn off the mains water supply to the filter housing.

2. Turn the dispenser tap to "ON" to release the pressure in the system. Leave the tap in the on position.\*

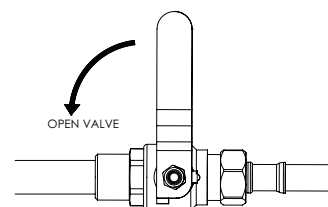
3. Have a bowl to hand. Grip the sump firmly and turn it to the left, just sufficient to break the seal. Lift the filter housing assembly off its two supporting screws.

4. Hold the housing over the bowl and continue to unscrew sump. Carefully remove the sump and empty the water it contains. Set it to one side. Unscrew the filter cartridge and discard it.



5. Screw the new cartridge in to the head. Tighten it firmly to make a seal. Do not over tighten as this may cause the threaded section to shear.

6. Screw the sump to the head and tighten it firmly. Re-mount the assembled housing on the two retaining screws.



7. Turn the water supply 'on' and check the system carefully for leaks. Leave the filter tap in the 'on' position and allow the water to run for a minimum of 10 minutes to flush the system. Check the flow rate. We recommend no more than 30 seconds a litre for optimum performance. If the flow is too fast it can be regulated by adjusting the stop valve.

**\*Important note.** If the tap is not left on the pressure trapped in the system will make it impossible to unlock the filter housing sump from the head.

## Franke Triflow Equivalent Cartridge Replacement - Stainless Housing

Changing your filter system's cartridge is simple and straightforward.

1. Shut-off the mains water supply. A stop valve was supplied with your filter tap for this purpose. This can be located by tracing the inlet tube from the filter housing back to the adjacent pipework.
2. Turn your tap's filtered water lever to the 'ON' position and leave it on. This will confirm that the water supply is turned off and release the pressure in the system.
3. Position a suitable receptacle under the filter housing assembly 'D' to catch residual water.
4. Carefully lift the filter housing assembly from its retaining bracket 'E'. Firmly grip the head 'B' and release the sump 'A' by turning it in the direction indicated in the diagram.
5. Remove the sump, discard the water it contains and set it to one side.
6. Holding the head in one hand, unscrew and remove the used cartridge 'C' with the other.
7. The ceramic and carbon components of the cartridge are bio-degradable. The cartridge can be discarded with your normal household waste. If you would prefer to return the cartridge for recycling you can, simply allow it to dry, repack it in the new cartridge packaging, and return it to FreshWater.
8. We recommend that you wash the sump in warm, soapy water and rinse it well.
9. Unpack the new filter and carefully screw it in place into the female thread in the head. Tighten the cartridge only sufficient to make a seal. Do not be tempted to over tighten as you will risk snapping the threaded section and/or breaking the ceramic.
10. Reassemble the housing; holding the head in one hand while repositioning the sump with the other. Refer to the diagram and turn the sump in the direction indicated to close it. Make sure that the sump is fully engaged with the head. Prior to this stage you may lubricate the rubber seal 'F' with a smear of WRAS approved silicon grease. Tubes of a suitable silicon grease are available at [www.freshwaterfilter.com](http://www.freshwaterfilter.com)

11. Replace the unit on the bracket and turn on the water supply.

12. Run the filtered water for 10 minutes to condition the cartridge and carefully check the systems for leaks. Your filter system is now ready for use.

### Decommissioning your filter system

If you plan to be away from home for extended periods, or if there is a risk of freezing, we recommend that you decommission and drain your filter system.

To do this, follow the cartridge replacement procedure to step 10, omitting steps 6, 7, 8 and 9 but leaving the stop valve in the 'OFF' position.

To re-commission your system simply turn the stop valve to the 'ON' position and run the filtered water for 5 minutes to flush the system. Carefully check for leaks. The system will then be ready to use again.

